

VARIABLE SECTION GEOMETRY

PART 1

Jung In, Chang

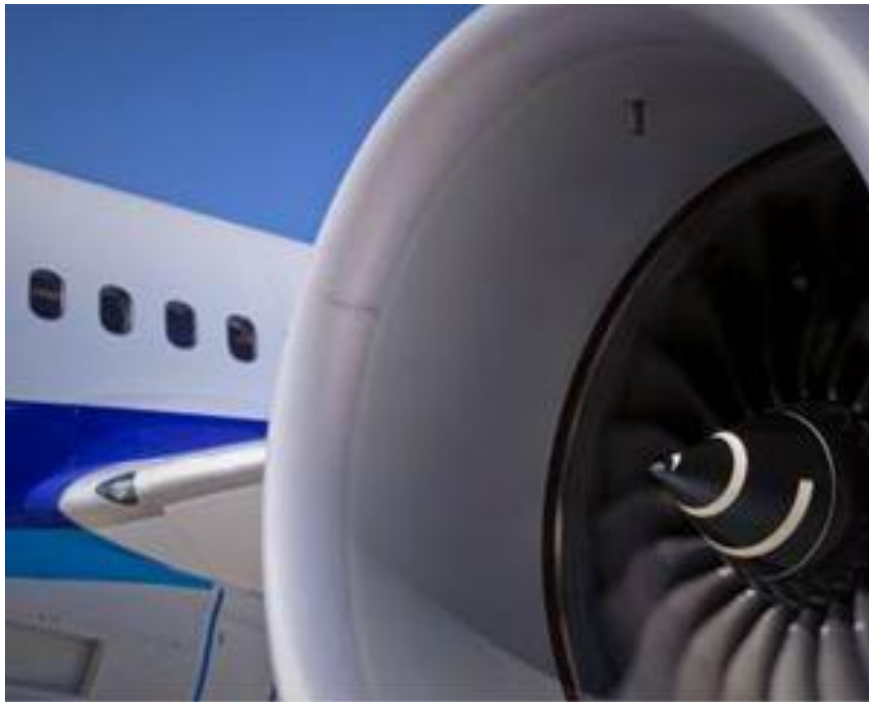
BOEING 787

DREAMLINER



BOEING 787

DREAMLINER

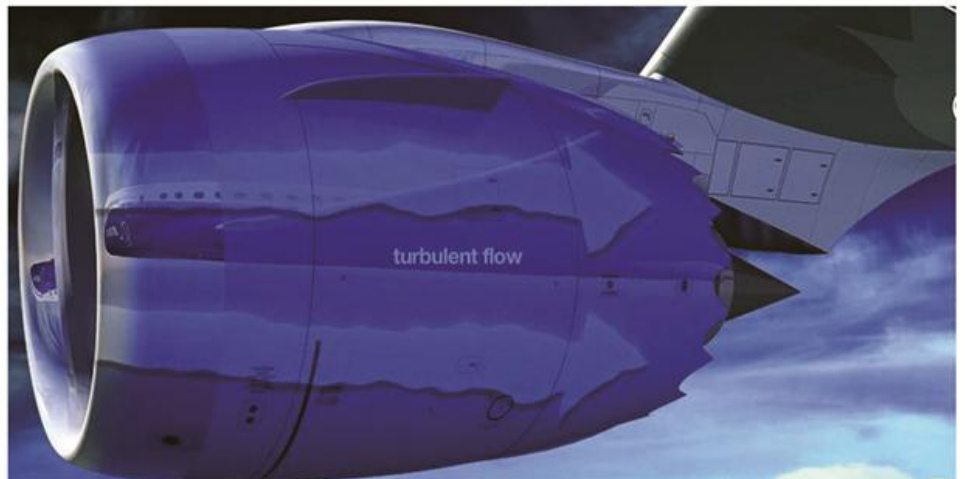
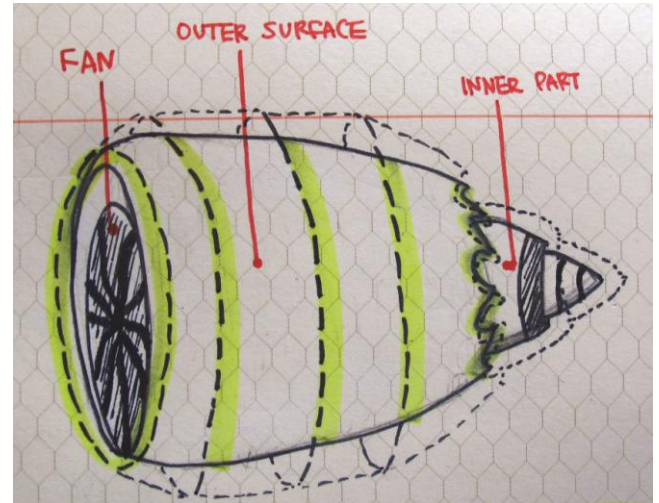


ENGINE

1

Side

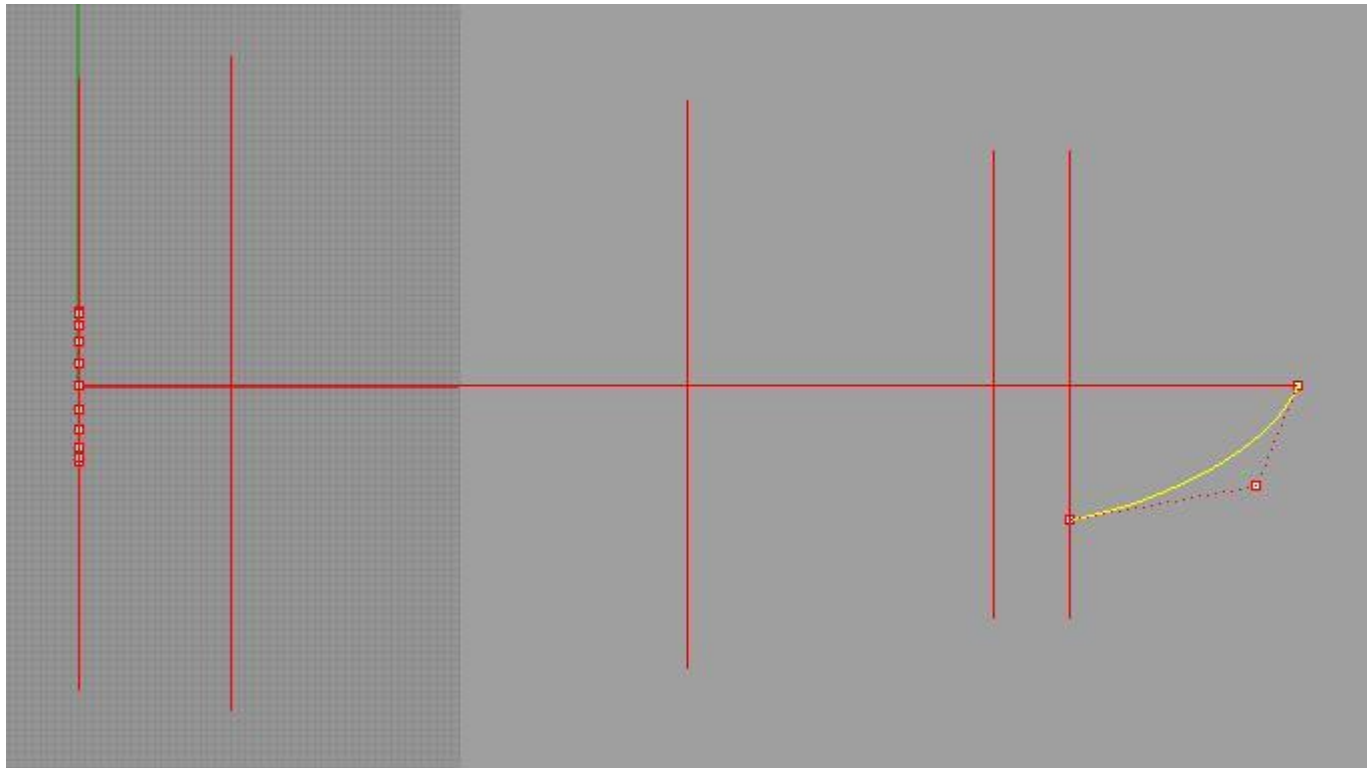
Outer Surface_ different radius curves



Series of making process

1 Right view

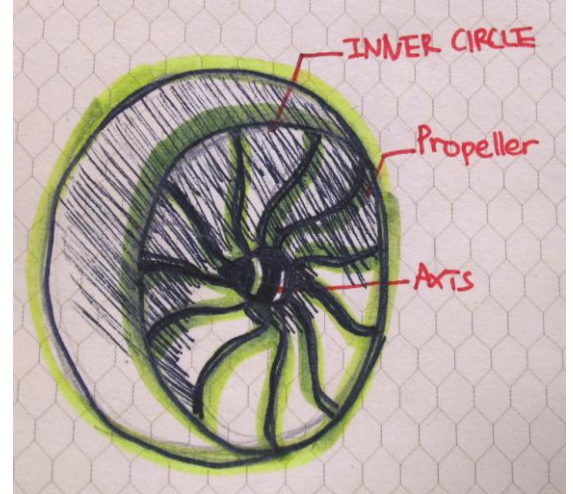
Different radius Circles w/ center axis



2

Front

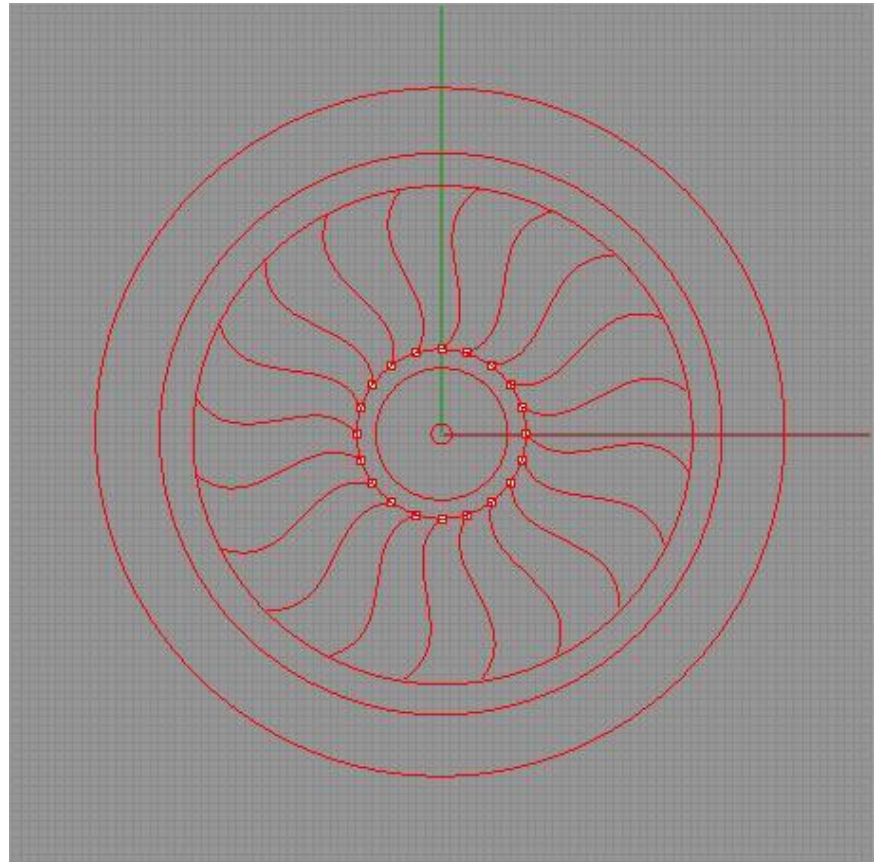
Outer circle, Inner circle w/ Propeller



Series of making process

2 Front view

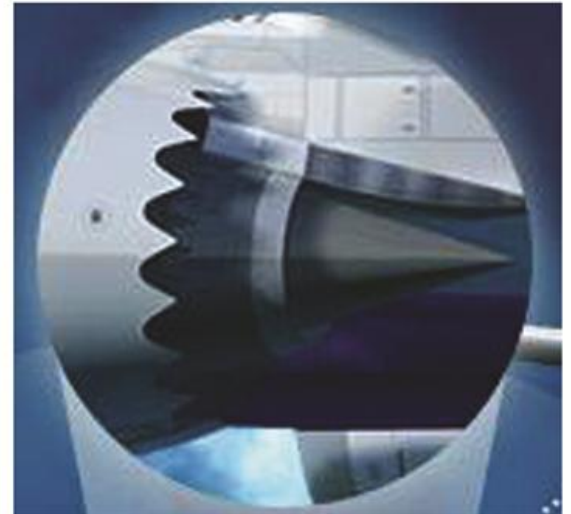
20 Propeller w/ 18 degrees



3

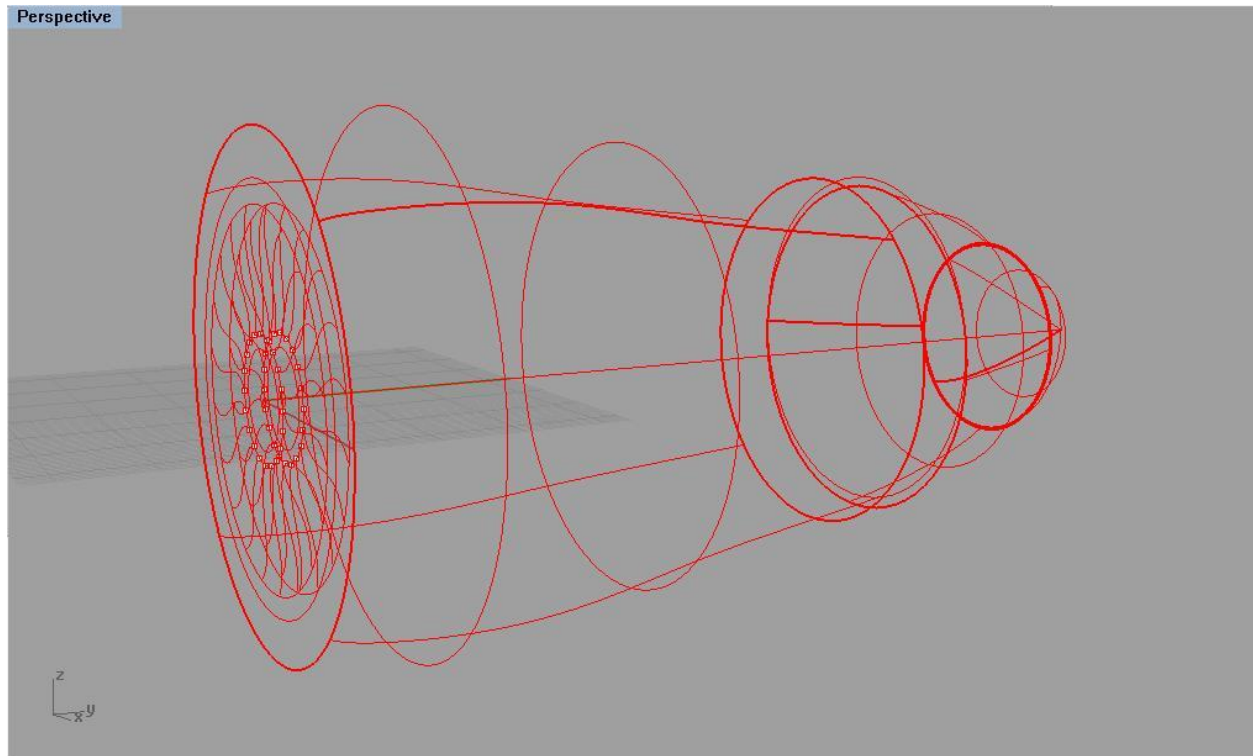
Back

Different radius Circles w/ center axis
Curves along the outer circle



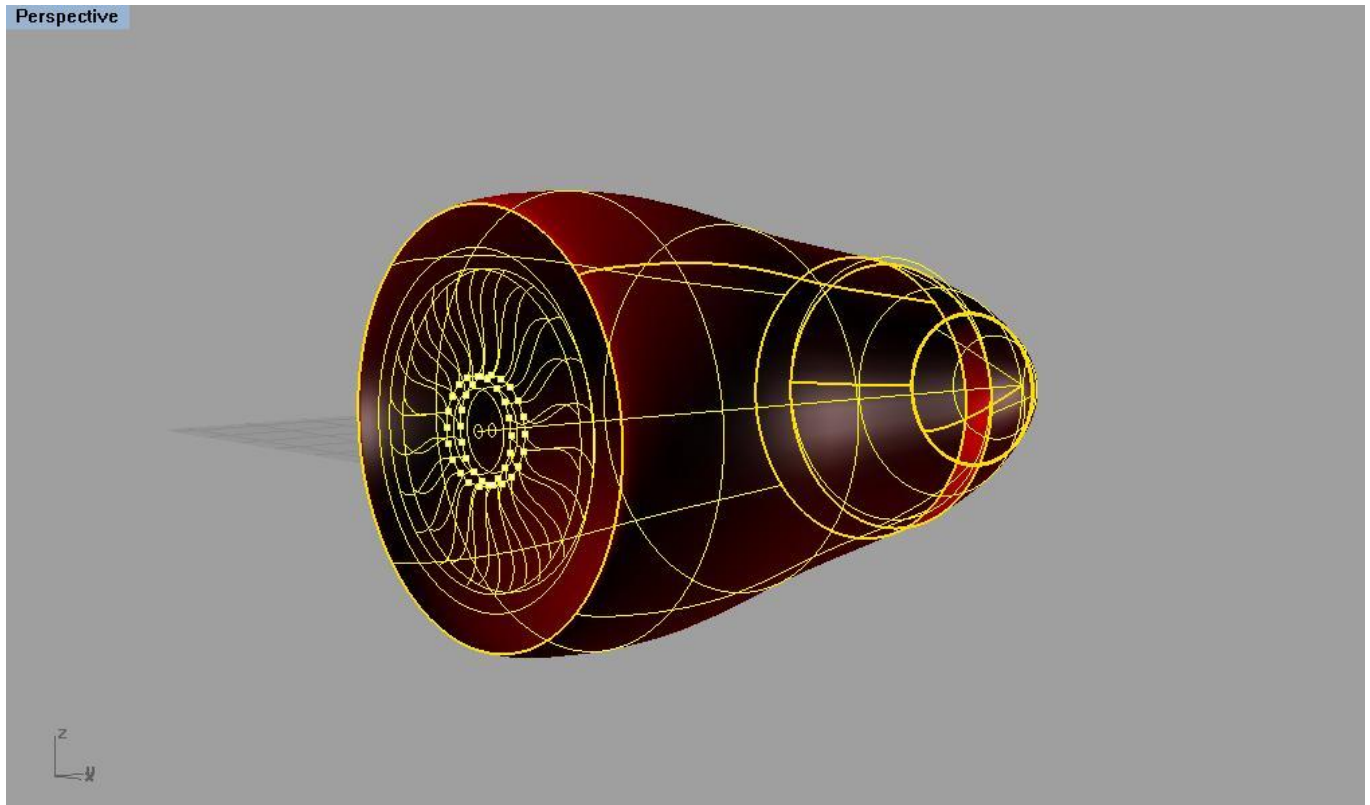
Series of making process

3 Perspective view



Wireframe Model

#Perspective view



To be continued...